



CA-NP948M8PVA-LDF-LFWA2812PW (4x8MP) 4-Directional Multi-Sensor Motorized Dome Network Camera



Full Color



Save Storage



AI+ Functions



Smart Dual Light



Two-Way Audio

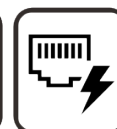


Multi Lens



■ Panoramic Series

- High Quality Imaging With 8MP Resolution
- 4x Varifocal Motorized Lens (2.8~12mm)
- Excellence Low-Light Performance
- Color: 0.006 Lux @ (F1.2, AGC ON), B/W: 0.002 Lux @ (F1.2, AGC ON);
- IR Viewable Distance 30m
- Efficient Compression Technology H.265/H.265+/H.264/H.264+/MJPEG
- Advanced AI Features: Face Recognition, Human & Vehicle Detection, Line Crossing, Object Detection, Cross Counting, Heat Map, Crowd Density, Queue Length, License Plate Recognition, Intrusion, Region Entrance, Region Exiting.
- Digital Wide Dynamic Range DWDR, 3D DNR, HLC, BLC
- Built-in Microphone & Speaker
- Water and Dust Resistant (IP67)





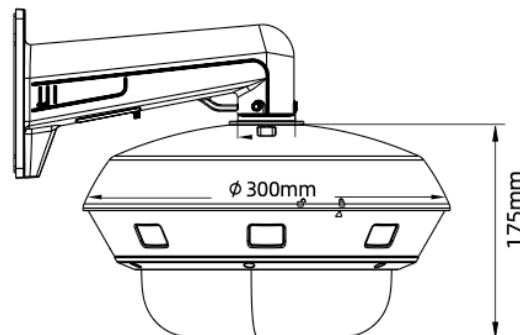
I Specifications

Model Name	CA-NP948M8PVA-LDF-LFWA2812PW
Camera	
Imaging Device	1/1.8"
Effective Pixels	8MP 3840x2160 (EA)
Scanning System	Progressive CMOS
Min. Illumination	Color: 0.006 Lux @(F1.2, AGC ON), B/W: 0.002 Lux @(F1.2, AGC ON);
Lens	
Focal Length (Zoom Ratio)	4x Varifocal Motorized Lens Ø16.7 (2.8~12mm)
Max. Aperture Ratio	Max. F1.40
Angular Field of View	Horizontal field of view: 48° to 112°, Vertical field of view: 27° to 58°, Diagonal field of view: 55° to 138°
Angle Adjustment	Four flexible lens in one track, Slide Range: -60° to 60°, Tilt: 0° to 90°, Rotate: 0° to 355°
Operational	
IR LED	3pc
IR Viewable Length	Up to 30m
WarmLight Viewable Length	Up to 15m
Supplement Light Type	Default warm light, Switchable infrared light
Motion Detection	Off/On (8 Level)
Wide Dynamic Range	WDR 120dB
Image Enhancement	BLC, 3D DNR, HLC
Day & Night	IR cut filter with auto switch (Day/Night/Image/Schedule)
Image Setting	Rotation Mode, Saturation, Brightness, Contrast, Sharpness, White Balance
Electronic Shutter Speed	1/5 ~ 1/20000s
On-Board Storage	Micro SD slot, up to 256GB
Alarm I/O	1 Input, 1 Output
Audio	Built-in Microphone & Speaker
Mount Type	Ceiling/Metope/Desktop mounting
Decoding Mode	Hardware decoding and software decoding
Hardware Reset	Yes
AI Features	Face Recogniton, Human & Vehicle Detection, Line Crossing, Object Detection, CrossCounting, Heat Map, Crowd Density, Queue Length, License Plate Recognition, Intrusion, Region Entrance, Region Exiting.



Video & Network	
Main Stream	50/60 Hz: 25fps 8MP(3840x2160),5MP(2592x1944,3072x1728), 4MP(2592x1520),3MP(2304x1296), 1080P(1920x1080), 960P(1280x960),720P(1280x720)
Sub-Stream	50/60 Hz: 25fps 720P(1280x720),VGA(640x480),QVGA(320x240)
Mobile Stream	50/60 Hz: 25fps 640x480, 320x240
Ethernet	RJ45(10/100BASE-T)
Video Compression Format	H.265/H.265+/H.264/H.264+/MJPEG
Simultaneous Live View	Up to 92 Streams
Video Quality Adjustment	256Kbps ~ 16Mbps
Bitrate control method	CBR/VBR
Protocol	TCP/IP, HTTP, DHCP, DNS, DDNS, RTP/RTSP, SMTP, NTP, UPnP, SNMP, HTTPS, FTP
Interface Protocol	ONVIF(Profile S/G/T/M)
User/Host	Up to 32 users, 2 levels: Administrator and User
General	
Operating Temperature	-35°C ~ +60°C (-31°F ~ 140 °F)
Operating Humidity	≤ 90% RH
Ingress Protection	IP67 , IK10
Dimensions	∅ 300mm x 175mm (11.8" x 6.9")
Package Dimensions	500mm × 395mm × 385mm (19.7" x 15.6" x 15.2")
Weight	Camera: Approx. 4.6kg(10. 1lb)
Power	ACV24/DCV12/Hi-PoE, Max.43W

■ Dimensions



■ **CANADAI Co.,Ltd.**
Smart Surveillance Systems
Email us: Support@Canadai.net



*All pictures and specifications are for reference only
And are subject to change without prior notice.