



CA-NP356N2MIG-HALTF-LW28PW 5MP Advanced AI Turret Network Camera



Full Color



Save Storage



AI+ Functions



Smart Dual Light



Two-Way Audio

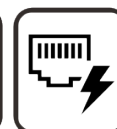


Active Deterrence



AI+ Series

- High Quality Imaging 5MP(2880x1620)@30fps
- Fixed Lens 2.8mm
- Excellent Low-Light Performance
- Color 0.002 Lux @(F1.2, AGC ON); B/W 0 lux @ IR ON
- Smart Dual Light technology captures full-color video when motion is detected.
- IR Viewable Distance: 25m
- Efficient Compression Technology H.265/H.265+/H.264/H.264+/MJPEG
- Active Deterrence: Red & Blue Warning Lights with Audio Alarm
- Advanced AI Features: Face Recognition, Human & Vehicle Detection, Perimeter Intrusion, Multi-Target-Type Recognition, Line Crossing, Object Detection, Crossing Counting, Heat Map, Crowd Density, Queue Length, License Plate, Rare Sound, Intrusion, Region Entrance, Region Exiting, Fall Detection, Fire & Smoke Detection.
- Wide Dynamic Range WDR (30fps), 3D DNR, HLC, BLC
- Built-in Microphone & Speaker
- Water and Dust Resistant (IP67)





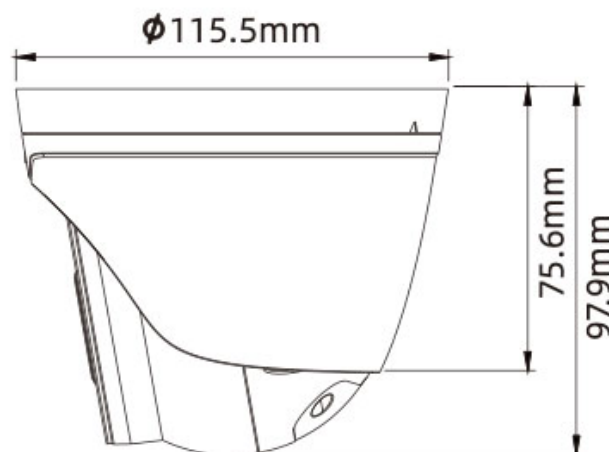
I Specifications

Model Name	CA-NP365N2MIG-HALTF-LW28PW
Camera	
Imaging Device	1/2.65"
Effective Pixels	5MP 2880(H)x1620(V)
Scanning System	Progressive CMOS
Min. Illumination	Color 0.002 Lux @ F1.2(AGC ON); B/W 0 lux @ IR ON
Lens	
Focal Length (Zoom Ratio)	2.8mm
Max. Aperture Ratio	F1.2
Angular Field of View	Horizontal: 111°, Vertical:59°, Diagonal: 137°
Min. Object Distance	1.5m
Lens Type	Fixed(M12)
Operational	
IR LED	1pc
WarmLight	2pcs
Red Blue Light	2pcs (1Red & 1Blue)
IR Viewable Length	Up to 25m
WarmLight Viewable Length	Up to 20m
Type of complementary light	Default warm light, Switchable infrared light
Motion Detection	Off/On (8 Level)
Wide Dynamic Range	WDR
Image Enhancement	BLC, 3D DNR, HLC
Day & Night	Full Color Mode /Day&Night Mode/ Smart Illumination
Image Setting	Rotation Mode, Saturation, Brightness, Contrast, Sharpness, White Balance
Electronic Shutter Speed	1/5 ~ 1/20000s
On-Board Storage	Micro SD slot, up to 256GB
Alarm I/O	NA
Audio	Built-in Microphone
P2P	Yes
Hardware Reset	Yes



Smart Features	Face Recognition, Human & Vehicle Detection, Perimeter Intrusion, Multi-Target-Type Recognition, Line Crossing, Object Detection, Crossing Counting, Heat Map, Crowd Density, Queue Length, License Plate, Rare Sound, Intrusion, Region Entrance, Region Exiting, Fall Detection, Fire & Smoke Detection.
Network	
Ethernet	RJ45(10/100BASE-T)
Video Compression Format	H.265/H.265+/H.264/H.264+/MJPEG
Resolution	5MP(2880x1620)@30fps
Video Quality Adjustment	256Kbps ~ 8Mbps
Bitrate control method	CBR/VBR
Protocol	TCP/IP, HTTP, DHCP, DNS, DDNS, RTP/RTSP, SMTP, NTP, UPnP, SNMP, HTTPS, FTP
Interface Protocol	ONVIF(Profile S/G/T/M)
General	
Operating Temperature	-35°C ~ +60°C (-31°F ~ 140 °F)
Operating Humidity	≤ 90% RH
Ingress Protection	IP67
Power	TBD
Housing	Metal

I Dimensions



I CANADAI Co.,Ltd.
Smart Surveillance Systems
Email us: Support@Canadai.net



*All pictures and specifications are for reference only
And are subject to change without prior notice.