



CA-NP348N2MIG-HALTF-LFW28PW 8MP AI+ Ultra Low Light Turret Network Camera



Full Color



Save Storage



AI+ Functions



Smart Dual Light



Ultra Low Light



Active Deterrence



AI+ Series

- High Quality Imaging 8MP(3840x2160)@30fps
- Fixed Lens 2.8mm
- Ultra Low-Light Performance
- Color 0.0007 Lux @ F1.0(AGC ON); B/W 0 lux @ IR ON
- Smart Dual Light technology captures full-color video when motion is detected.
- IR Viewable Distance: 25m
- Efficient Compression Technology H.265/H.265+/H.264/H.264+/MJPEG
- Active Deterrence: Red & Blue Warning Lights with Audio Alarm
- Advanced AI Features: Face Recognition, Human & Vehicle Detection, Perimeter Intrusion, Multi-Target-Type Recognition, Line Crossing, Object Detection, Crossing Counting, Heat Map, Crowd Density, Queue Length, License Plate, Rare Sound, Intrusion, Region Entrance, Region Exiting, Fall Detection, Fire&Smoke Detection.
- Wide Dynamic Range WDR (30fps), 3D DNR, HLC, BLC
- Built-in Microphone & Speaker
- Water and Dust Resistant (IP67)





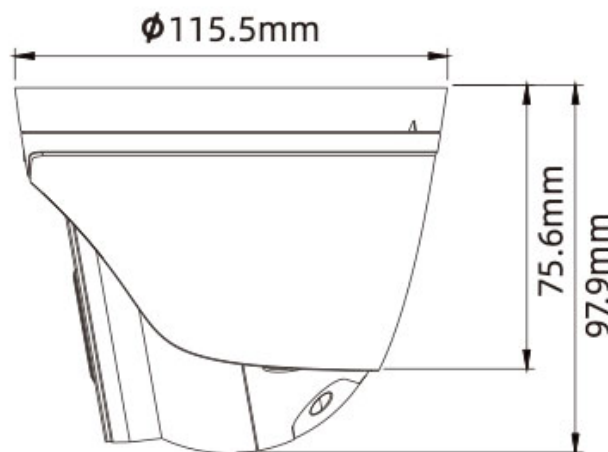
I Specifications

Model Name		CA-NP348N2MIG-HALTF-LFW28PW
Camera		
Imaging Device	1/1.8"	
Effective Pixels	8MP 3840(H)×2160(V)	
Scanning System	Progressive CMOS	
Min. Illumination	Color 0.0007lux @ F1.0(AGC ON); B/W 0 lux @ IR ON	
Lens		
Focal Length (Zoom Ratio)	2.8mm	
Max. Aperture Ratio	F1.0	
Angular Field of View	Horizontal: 110°, Vertical:60°, Diagonal: 133°	
Min. Object Distance	2.5m	
Lens Type	Fixed(M12)	
Operational		
IR LED	1pc	
WarmLight	2pcs	
IR Viewable Length	Up to 25m	
WarmLight Viewable Length	Up to 20m	
Type of complementary light	Default warm light, Switchable infrared light	
Motion Detection	Off/On (8 Level)	
Wide Dynamic Range	WDR (30fps)	
Image Enhancement	BLC, 3D DNR, HLC	
Day & Night	Full Color Mode /Day&Night Mode/ Smart Illumination	
Image Setting	Rotation Mode, Saturation, Brightness, Contrast, Sharpness, White Balance	
Electronic Shutter Speed	1/5 ~ 1/20000s	
On-Board Storage	Micro SD slot, up to 256GB	
Alarm I/O	NA	
Audio	Built-in Microphone & Speaker	
P2P	Yes	
Hardware Reset	Yes	
Smart Features	Face Recognition, Pedestrian & Vehicle Detection, Perimeter Intrusion, Multi-Target-Type Recognition, Line Crossing, Object Detection, Crossing Counting, Heat Map, Crowd Density, Queue Length, License Plate, Rare Sound, Intrusion, Region Entrance, Region Exiting, Fall Detection, Fire & Smoke Detection.	



Network	
Ethernet	RJ45(10/100BASE-T)
Video Compression Format	H.265/H.265+/H.264/H.264+/MJPEG
Resolution	6MP(3200x1800)@30fps
Video Quality Adjustment	256Kbps ~ 16Mbps
Bitrate control method	CBR/VBR
Protocol	TCP/IP, HTTP, DHCP, DNS, DDNS, RTP/RTSP, SMTP, NTP, UPnP, SNMP, HTTPS, FTP
Interface Protocol	ONVIF(Profile S/G/T/M)
General	
Operating Temperature	-35°C ~ +60°C (-31°F ~ 140 °F)
Operating Humidity	≤ 90% RH
Ingress Protection	IP67
Power	TBD
Housing	Metal

■ Dimensions



■ **CANADAI Co.,Ltd.**
Smart Surveillance Systems
Email us: Support@Canadai.net



*All pictures and specifications are for reference only
And are subject to change without prior notice.