



## CA-NP348N2MHA-HALDF-LFWA2812PW

8MP AI+ Ultra Low Light Motorized Dome Network Camera



Full Color



Save Storage



AI+ Functions



Smart Dual Light



Ultra Low Light

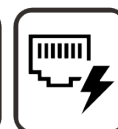


Active Deterrence



## AI+ Series

- High Quality Imaging 8MP(3840x2160)@30fps
- Motorized Varifocal Lens ( $\varnothing$ 16.7) 2.8-12mm
- Ultra Low-Light Performance
- Color 0.0005 Lux @ F1.0(AGC ON); B/W 0 lux @ IR ON
- Smart Dual Light technology captures full-color video when motion is detected.
- IR Viewable Distance: 30m
- Efficient Compression Technology H.265/H.265+/H.264/H.264+/MJPEG
- Active Deterrence: Red & Blue Warning Lights with Audio Alarm
- Advanced AI Features: Face Recognition, Human & Vehicle Detection, Perimeter Intrusion, Multi-Target-Type Recognition, Line Crossing, Object Detection, Crossing Counting, Heat Map, Crowd Density, Queue Length, License Plate, Rare Sound, Intrusion, Region Entrance, Region Exiting, Fall Detection, Fire&Smoke Detection.
- Wide Dynamic Range WDR (30fps), 3D DNR, HLC, BLC
- Built-in Microphone & Speaker
- Water and Dust Resistant (IP67)





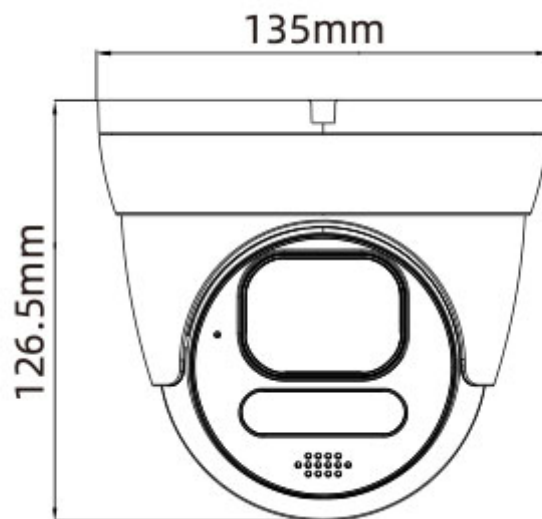
## I Specifications

Model Name	CA-NP348N2MHA-HALDF-LFWA2812PW
<b>Camera</b>	
Imaging Device	1/1.8"
Effective Pixels	8MP 3840(H)×2160(V)
Scanning System	Progressive CMOS
Min. Illumination	Color 0.0007 Lux @ F1.0(AGC ON); B/W 0 lux @ IR ON
<b>Lens</b>	
Focal Length (Zoom Ratio)	Motorized Varifocal Lens (2.8-12mm)
Max. Aperture Ratio	F1.0
Angular Field of View	Horizontal: 113-48°, Vertical: 59-27°, Diagonal: 139-55°
Min. Object Distance	W 1.75m, T 5.21m
Lens Type	Motorized Varifocal Lens
<b>Operational</b>	
IR LED	2pc
WarmLight	2pcs
Red Blue Light	2pcs (1Red & 1Blue)
IR Viewable Length	Up to 30m
WarmLight Viewable Length	Up to 25m
Type of complementary light	Default warm light, Switchable infrared light
Motion Detection	Off/On (8 Level)
Wide Dynamic Range	WDR (30fps)
Image Enhancement	BLC, 3D DNR, HLC
Day & Night	Full Color Mode /Day&Night Mode/ Smart Illumination
Image Setting	Rotation Mode, Saturation, Brightness, Contrast, Sharpness, White Balance
Electronic Shutter Speed	1/5 ~ 1/20000s
On-Board Storage	Micro SD slot, up to 256GB
Alarm I/O	1 input, 1 output
Audio	Built-in Microphone & Speaker
P2P	Yes
Hardware Reset	Yes
Smart Features	Face Recognition, Human & Vehicle Detection, Perimeter Intrusion, Multi-Target-Type Recognition, Line Crossing, Object Detection, Crossing Counting, Heat Map, Crowd Density, Queue Length, License Plate, Rare Sound, Intrusion, Region Entrance, Region Exiting, Fall Detection, Fire & Smoke Detection.



Network	
Ethernet	RJ45(10/100BASE-T)
Video Compression Format	H.265/H.265+/H.264/H.264+/MJPEG
Resolution	8MP(3840x2160)@30fps
Video Quality Adjustment	256Kbps ~ 16Mbps
Bitrate control method	CBR/VBR
Protocol	TCP/IP, HTTP, DHCP, DNS, DDNS, RTP/RTSP, SMTP, NTP, UPnP, SNMP, HTTPS, FTP
Interface Protocol	ONVIF( Profile S/G/T/M)
General	
Operating Temperature	-35°C ~ +60°C ( -31°F ~ 140 °F)
Operating Humidity	≤ 90% RH
Ingress Protection	IP67
Power	TBD
Housing	Metal

## ■ Dimensions



■ **CANADAI Co.,Ltd.**  
Smart Surveillance Systems  
Email us: [Support@Canadai.net](mailto:Support@Canadai.net)



\*All pictures and specifications are for reference only  
And are subject to change without prior notice.