



CA-NP242M7NK-HALDF-LF2812PW 8MP Motorized Varifocal Bullet Network Camera



Full Color



Save Storage



AI Functions



Smart Dual Light



Two-Way Audio



Active Deterrence



Pro Series

- High Quality Imaging 8MP(3840x2160)@20fps
- Motorized Varifocal Lens (\varnothing 16.7) 2.8-12mm
- Excellent Low-Light Performance
- Color 0.007 Lux @ F1.0(AGC ON), B/W 0 lux @ IR ON
- Smart Dual Light technology captures full-color video
When motion is detected.
- IR Viewable Distance: 35m
- Efficient Compression Technology H.265/H.265+/H.264/H.264+/MJPEG
- Active Deterrence: Red & Blue Warning Lights with Audio Alarm
- AI Smart Features: Face Detection, Human & Vehicle Detection, Line Crossing,
Object Detection, Crossing Counting, Heat Map, Crowd Density, Queue Length, License
Plate, Rare Sound, Intrusion, Region Entrance, Region Exiting.
- Wide Dynamic Range WDR, 3D DNR, HLC, BLC
- Built-in Microphone & Speaker
- Water and Dust Resistant (IP67)





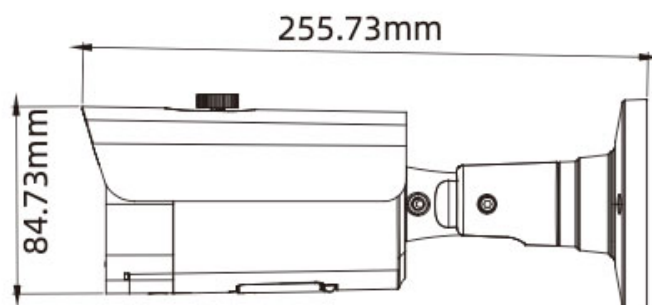
I Specifications

Model Name	CA-NP242M7NK-HALDF-LF2812PW
Camera	
Imaging Device	1/2.8"
Effective Pixels	8MP 3840(H)×2160(V)
Scanning System	Progressive CMOS
Min. Illumination	Color 0.007 Lux @ F1.0(AGC ON); B/W 0 lux @ IR ON
Lens	
Focal Length (Zoom Ratio)	Motorized Varifocal Lens (Ø16.7) 2.8-12mm
Max. Aperture Ratio	F1.2
Angular Field of View	Horizontal: 113(W)-36(T)° Vertical: 59(W)-20(T)° Diagonal 139(W)-41(T)°
Min. Object Distance	1.5m
Lens Type	Motorized Varifocal Lens
Operational	
IR LED	4pcs
WarmLight	4pcs
Red & Blue Light	2pcs (1Red & 1Blue)
IR Viewable Length	Up to 35m
WarmLight Viewable Length	Up to 30m
Type of complementary light	Default warm light, Switchable infrared light
Motion Detection	Off/On (8 Level)
Wide Dynamic Range	DWDR
Image Enhancement	BLC, 3D DNR, HLC
Day & Night	Full Color Mode /Day&Night Mode/ Smart Illumination
Image Setting	Rotation Mode, Saturation, Brightness, Contrast, Sharpness, White Balance
Electronic Shutter Speed	1/5 ~ 1/20000s
On-Board Storage	Micro SD slot, up to 256GB
Alarm I/O	1 Input, 1 Output
Audio	Built-in Microphone & Speaker
P2P	Yes
Hardware Reset	Yes
Smart Features	Face Detection, Human & Vehicle Detection, Line Crossing, Object Detection, Crossing Counting, Heat Map, Crowd Density, Queue Length, License Plate, Rare Sound, Intrusion, Region Entrance, Region Exiting



Network	
Ethernet	RJ45(10/100BASE-T)
Video Compression Format	H.265/H.265+/H.264/H.264+/MJPEG
Resolution	8MP(3840x2160)@30fps
Video Quality Adjustment	256Kbps ~ 16Mbps
Bitrate control method	CBR/VBR
Protocol	TCP/IP, HTTP, DHCP, DNS, DDNS, RTP/RTSP, SMTP, NTP, UPnP, SNMP, HTTPS, FTP
Security	IP address filter; complicated password; Authenticated username and password
Interface Protocol	ONVIF(Profile S/G/T/M)
General	
Operating Temperature	-35°C ~ +60°C (-31°F ~ 140 °F)
Operating Humidity	≤ 90% RH
Ingress Protection	IP67
Power	DC12V: max 8.9W, PoE: max 10.7W
Housing	Metal

■ Dimensions



■ CANADAI Co.,Ltd.
Smart Surveillance Systems
Email us: Support@Canadai.net



*All pictures and specifications are for reference only
And are subject to change without prior notice.