



CA-NP242M7CUA-HALTF-LF36PW 8MP Smart Dual Light Bullet Network Camera



Full Color



Save Storage



Smart Dual Light



Motion Detection



Two-Way Audio

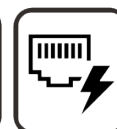


Active Deterrence



Prime Series

- High Quality Imaging 8MP(3840x2160)@20fps
- Fixed Lens 3.6mm
- Excellent Low-Light Performance
- Color 0.007 Lux @ F1.0(AGC ON) ; B/W 0 lux @ IR ON
- Smart Dual Light technology captures full-color video
When motion is detected.
- IR Viewable Distance: 25m
- Efficient Compression Technology H.265/H.265+/H.264/H.264+/MJPEG
- Active Deterrence: Red & Blue Warning Lights with Audio Alarm
- AI Smart Features: Face Detection, Human & Vehicle Detection, Line Crossing,
Object Detection, Crossing Counting, Heat Map, Crowd Density, Queue Length, License
Plate, Rare Sound, Intrusion, Region Entrance, Region Exiting.
- Digital Wide Dynamic Range DWDR, 3D DNR, HLC, BLC
- Built-in Microphone & Speaker
- Water and Dust Resistant (IP67)





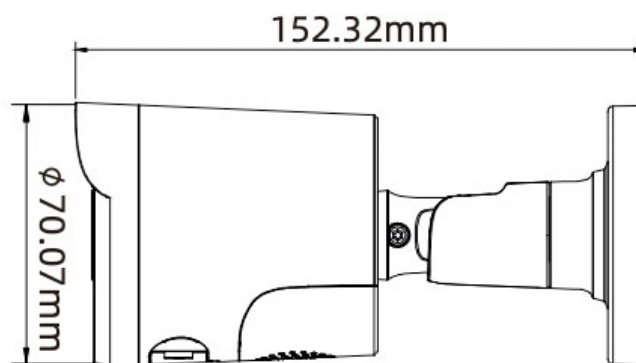
I Specifications

| Model Name | CA-NP242M7CUA-HALTF-LF36PW |
|-----------------------------|---|
| Camera | |
| Imaging Device | 1/2.7" |
| Effective Pixels | 8MP 3840(H)×2160(V) |
| Scanning System | Progressive CMOS |
| Min. Illumination | Color 0.007lux @ F1.0(AGC ON) ; B/W 0 lux @ IR ON |
| Lens | |
| Focal Length (Zoom Ratio) | 3.6mm |
| Max. Aperture Ratio | F1.0 |
| Angular Field of View | Horizontal: 88°, Vertical: 48°, Diagonal: 104° |
| Min. Object Distance | 2m |
| Lens Type | Fixed(M12) |
| Operational | |
| IR LED | 1pc |
| WarmLight | 2pcs |
| Red & Blue Light | 2pcs (1Red & 1Blue) |
| IR Viewable Length | Up to 25m |
| WarmLight Viewable Length | Up to 20m |
| Type of complementary light | Default warm light, Switchable infrared light |
| Motion Detection | Off/On (8 Level) |
| Wide Dynamic Range | DWDR |
| Image Enhancement | BLC, 3D DNR, HLC |
| Day & Night | Full Color Mode /Day&Night Mode/ Smart Illumination |
| Image Setting | Rotation Mode, Saturation, Brightness, Contrast, Sharpness, White Balance |
| Electronic Shutter Speed | 1/5 ~ 1/20000s |
| On-Board Storage | Micro SD slot, up to 256GB |
| Alarm I/O | NA |
| Audio | Built-in Microphone & Speaker |
| P2P | Yes |
| Hardware Reset | Yes |
| Smart Features | Face Detection, Human & Vehicle Detection, Line Crossing, Object Detection, Crossing Counting, Heat Map, Crowd Density, Queue Length, License Plate, Rare Sound, Intrusion, Region Entrance, Region Exiting |



| Network | |
|--------------------------|---|
| Ethernet | RJ45(10/100BASE-T) |
| Video Compression Format | H.265/H.265+/H.264/H.264+/MJPEG |
| Resolution | Main Stream@20fps 8MP(3840x2160),5MP(2592x1944,3072x1728), 4MP(2592x1520),3MP(2304x1296),1080P(1920x1080), 960P(1280*960),720P(1280x720) |
| Video Quality Adjustment | 256Kbps ~ 16Mbps |
| Bitrate control method | CBR/VBR |
| Protocol | TCP/IP, HTTP, DHCP, DNS, DDNS, RTP/RTSP, SMTP, NTP, UPnP, SNMP, HTTPS, FTP |
| Security | IP address filter;complicated password;Authenticated username and password |
| Interface Protocol | ONVIF(Profile S/G/T/M) |
| General | |
| Operating Temperature | -35°C ~ +60°C (-31°F ~ 140 °F) |
| Operating Humidity | ≤ 90% RH |
| Ingress Protection | IP67 |
| Power | DC12V: max.5.8W, PoE: max.7.1W |
| Housing | Metal |

I Dimensions



CANADAI Co.,Ltd.
Smart Surveillance Systems
Email us: Support@Canadai.net



*All pictures and specifications are for reference only
And are subject to change without prior notice.